

Peace of mind built-in.

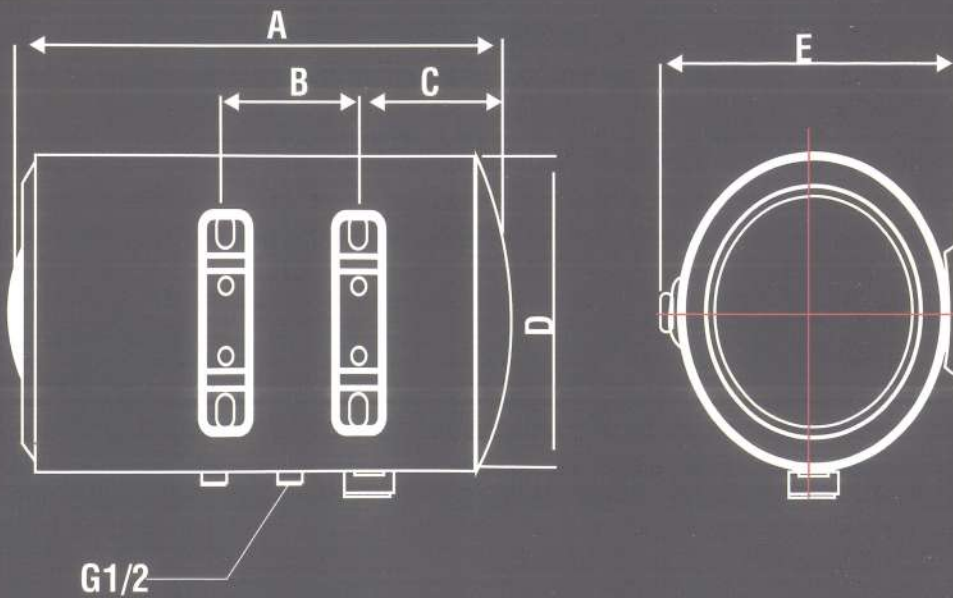


- * 7 YEARS FOR THE TANK
- * 4 YEARS FOR ALL OTHER COMPONENTS

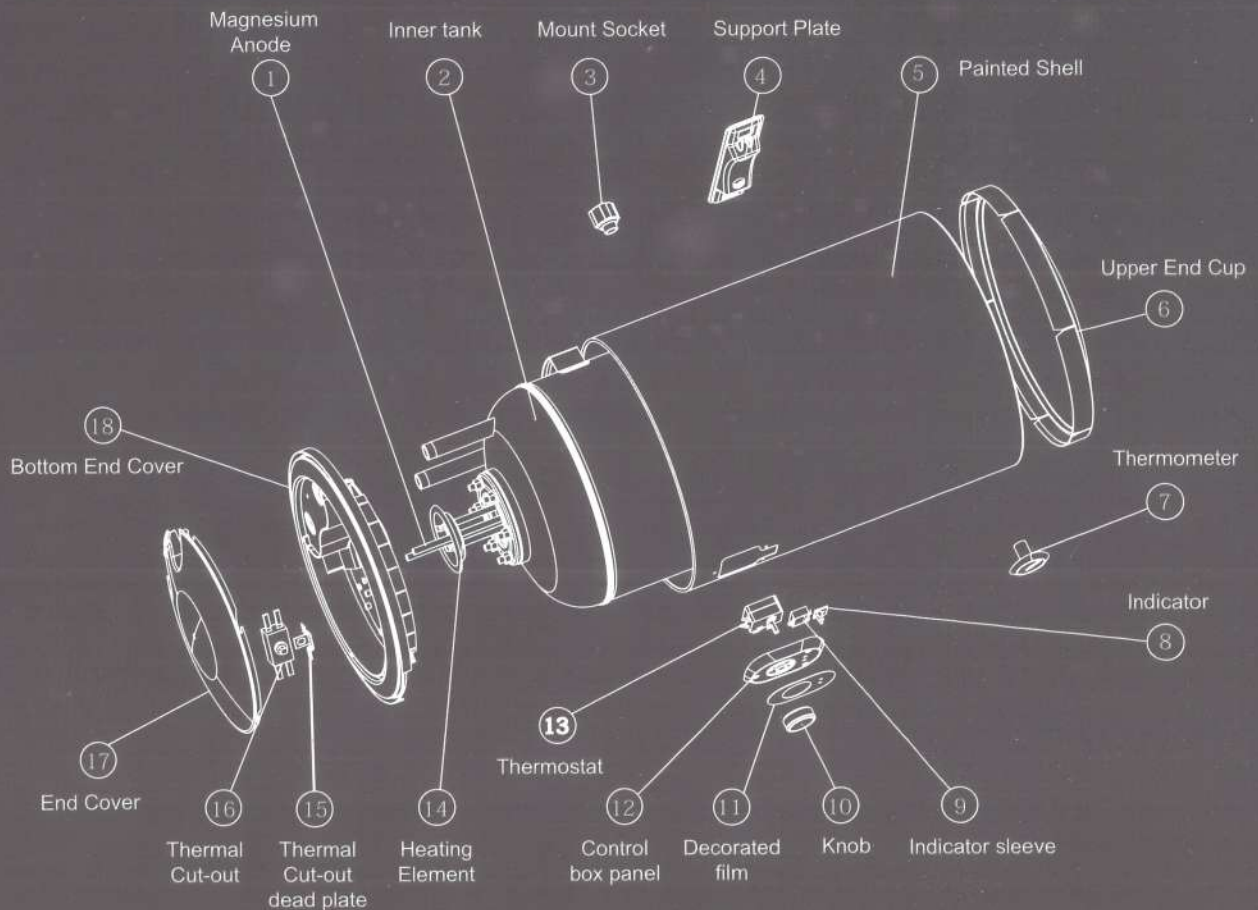
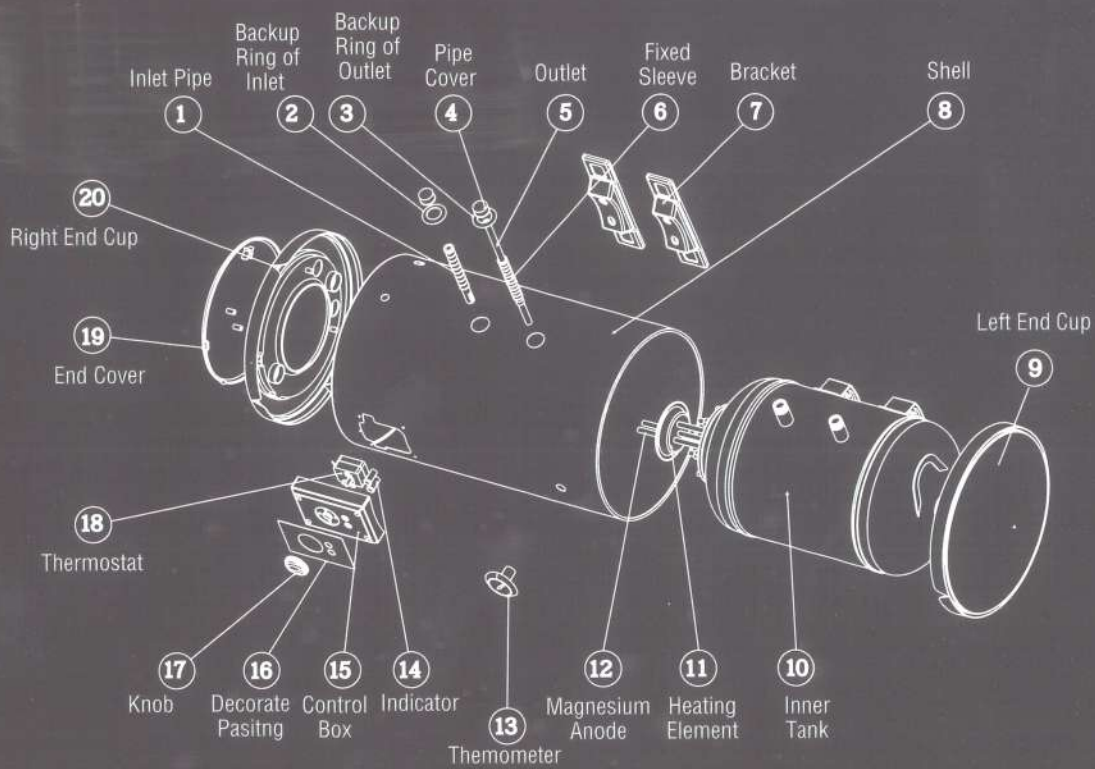


Sizes

Model	Capacity	"Dimensions in MM (tolerance ± 10 mm)"					Rated Power	Packing Details		
		A	B	C	D	E		Length x Width x Height ± 5 mm	Gross Weight (kg) (tolerance $\pm 10\%$)	Net Weight (kg) (tolerance $\pm 10\%$)
VME-WHT-H030	30	625	177	184.5	$\text{\O}350$	387	1500	410X410X710	15.46	13.19
VME-WHT-2.5KWH050	50	773	310	175.5	$\text{\O}390$	427	1500	465X465X840	21.12	18.19



Product Cut Section



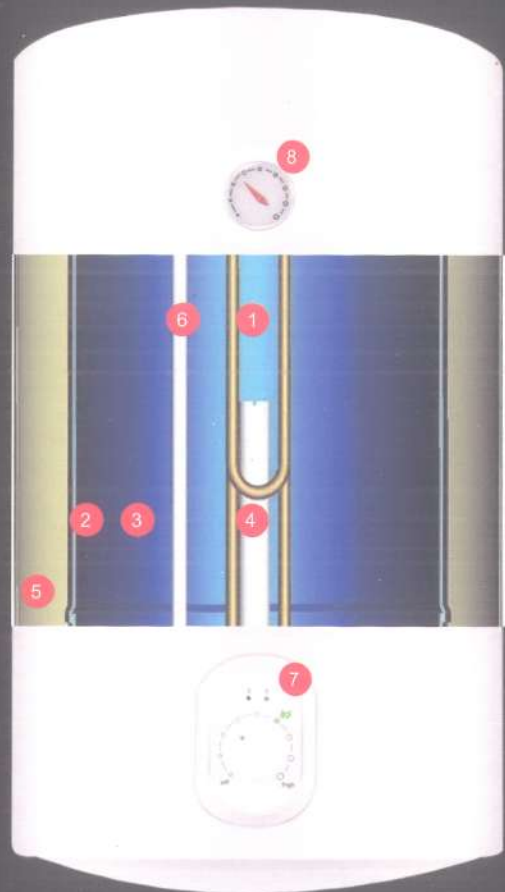
Built To Give More

- 2 mm tank thickness
- 25 mm PUF insulation
- 2500 W for 50L H and 1500 W for 30L H
- Six bolt flange
 - * Extra security for tank leaking from high pressure
- Warranty:
 - * 7 years for the tank
 - * 4 years for all other components
- 0.8 MPa working pressure
- Glass lining inner tank
- Incoloy heating element
- IPX4 protection against humidity
- ESMA 5-star rating
- Thermometer display
- Temperature control knob
- Anti-rust painting

Product Structure

What's Inside

- 1. High Quality Heating Element**
Superior heating performance with extended life span and minimum energy losses
(Incoloy 840 heating element)
- 2. Heavy Gauge Tank**
Using ultra thick super cold-rolled steel plate with 2mm thickness.
- 3. Blue Diamond Enamel Coating Layer**
All models are equipped with ultimate protection against rust and corrosion. Blue Diamond layer (0.3mm) provides corrosion resistance several times superior to standard inner tank designs.
- 4. Heavy-Duty Anode Rod**
With steel core, protects Blue Diamond tank from rust and corrosion.
- 5. Energy Saving High Density Foam Insulation**
CFC free, complete protection designed against radiant heat loss (20mm-35mm thickness, thicker than normal insulation design).
- 6. Water Tubes With Whirlflow**
The Whirlflow ensures no immediate direct contact between cold and hot water for an efficient heating and maximum energy saving effect.
- 7. Adjustable Temperature Knob With Thermostat**
"One-Hand" pilot design, allows a temperature setting up to 75°C.
- 8. External Temperature Meter**
Provides clear temperature indication.



Anti Dry Heating Protection



Thicker Mg. Anode



Blue Crystal Inner Tank



Multi Protection Mechanism



Thermometer Display



Temperature Control Knob



Anti-rust Painting



ECO



Overall PUF



Overheat Protection



Blue Crystal Inner Tank



Anti Over-pressure Protection

Jaquar presents Versa (E) – precision engineered water heaters that are aesthetically designed to complement elegant bathrooms. But beauty is not the only thing that makes them unique. Look deeper, and you will find a whole range of features that save energy, make them absolutely safe and ensure they last longer. What's more, they come with the legendary quality assurance of each Jaquar product.

Built Safer By Design



Double Safety Thermostat

Dual overheating control mechanism cuts off power automatically even if primary cut off fails.



Multi-function Safety Valve

Discharges water and acts as a non-return valve if pressure or temperature exceeds pre-set limit.



Earthing Protection

Ensures protection from earthing, wrong wire connections, electricity leakage etc.

Built To Last Longer



Superior Quality Glass-lined Inner Tank

Prevents rust, corrosion and prolongs the life of inner tank (2 mm thickness).



Incoloy 840 Heating Element

Made with high quality steel for quicker heating. Longer life time compared to other materials as a result of its high resistance to hard water and heavy corrosion.



Water Proof Grade IPX4

Protects water heater from corrosion and water splash and ensures long lasting use.

Built To Save Energy



High Density Insulation

CFC free PUF insulation, thicker than the normal insulation (25 mm thickness), minimises heat loss, maximises energy savings.



Cathodic Protection

A sacrificial Magnesium Anode protects and saves the tank from electrochemical reactions during water heating.



ECO Mode

Promotes more environmental friendly usage.